

TYPE 600

BRASS BALL VALVE

One-piece body, Blowout-proof Stem,
Threaded ends to BS21 or NPT

W.O.G. non-shock 4.14 MPa (600 psi), W.O.G. 150°C 1.03 MPa (150 psi)



Fig. TK

- Threaded end to BS21

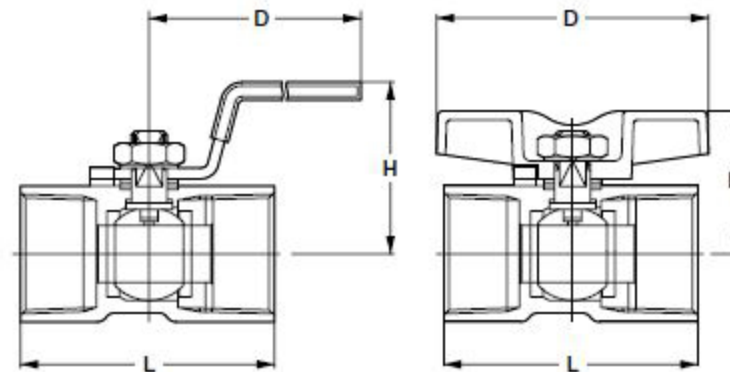


Fig. TKT

- Threaded end to BS21

Fig. AKTK

- Threaded end to ASME B1.20.1
- AKTK 1/4 to 2



Materials

| Parts | Material |
|---------------|---------------------------------|
| Body | Brass |
| Body cap | Brass |
| Stem | Dezincification Resistant Brass |
| Ball | Brass* |
| Ball seat | Reinforced PTFE |
| Grand packing | Reinforced PTFE |

*Chrome or Nickel-chrome plated

Dimensions

| Nominal Size | mm | | | | | | | | | |
|--------------------------|------|-----|-----|-----|------|-----|-----|-------|-------|-----|
| | Inch | 1/8 | 1/4 | 3/8 | 1/2 | 3/4 | 1 | 1 1/4 | 1 1/2 | 2 |
| L Threaded end to end | mm | 6 | 8 | 10 | 15 | 20 | 25 | 32 | 40 | 50 |
| H Height | | 32 | 39 | 44 | 56.5 | 59 | 71 | 78 | 83 | 100 |
| H1 TKT: Height | | 31 | 31 | 36 | 41 | 44 | 48 | 54 | 65 | 72 |
| D Length of Handle | | 23 | 23 | 27 | 31 | 34 | 42 | 48 | 53 | 60 |
| D1 TKT: Length of Handle | | 60 | 60 | 70 | 85 | 85 | 100 | 100 | 125 | 125 |
| | | 35 | 35 | 40 | 60 | 60 | 76 | 76 | 100 | 100 |